

---

# Tic Tac 14

---

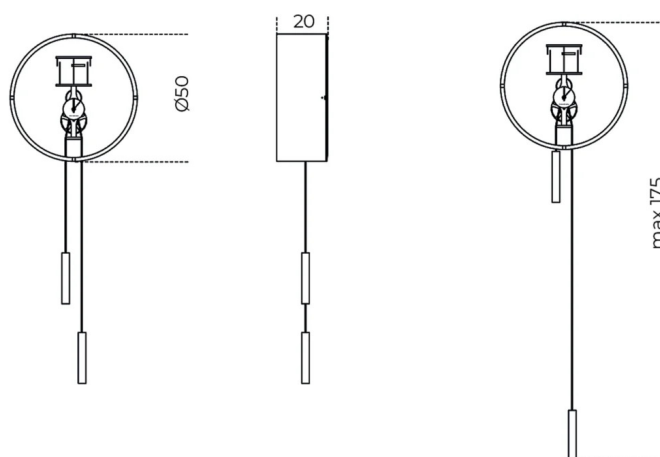
Studio G&R  
2014



Manual winding pendulum clock. Tobacco stained or black open pore stained ash structure and 6mm extralight bevelled front glass. "Supermirror" bright stainless steel back. Black anodised aluminium and chromed brass mechanism. Striking mechanism clock. Customized engraving on the bright stainless steel ring, on request.

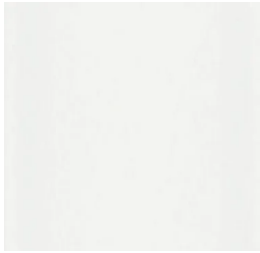
**Cm (L x P x H)**  
50 x 20 x 175

**Inches (L x P x H)**  
19¾ x 8 x 69



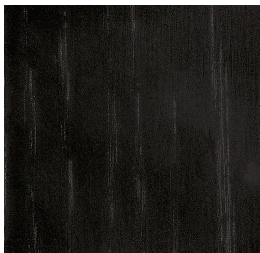
# Finishes

## Glass

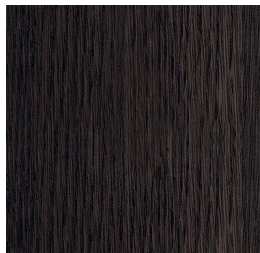


Extralight

## Wood



Black stained open pore  
ash



Tobacco stained ash

## Metal



Bright stainless steel  
"supermirror"



Black brushed  
aluminium



Chromed brass